

Brewno Panel

Wiring Termination Schematics

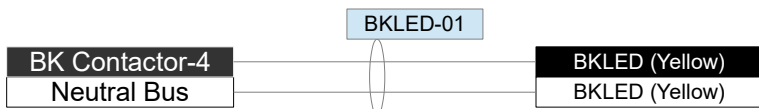
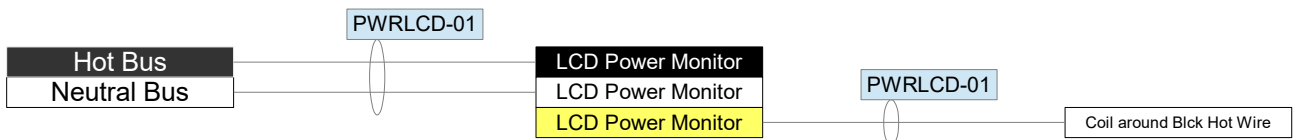
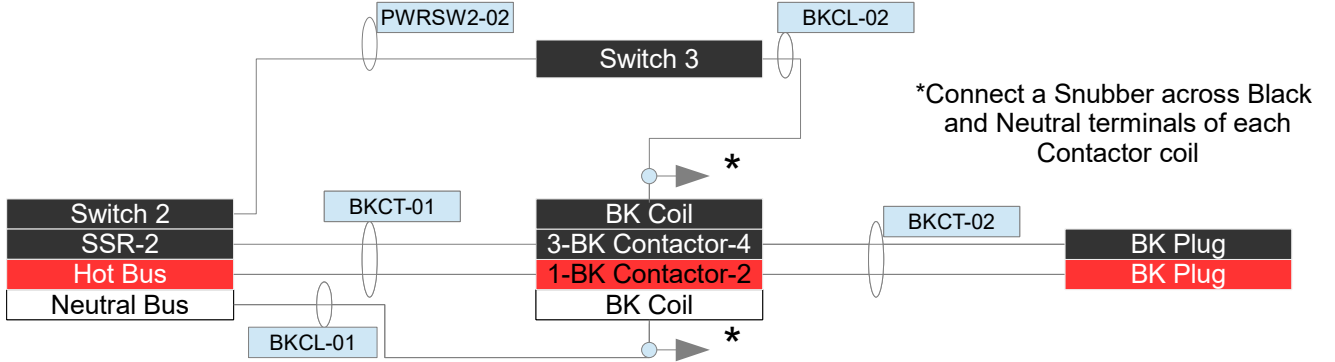
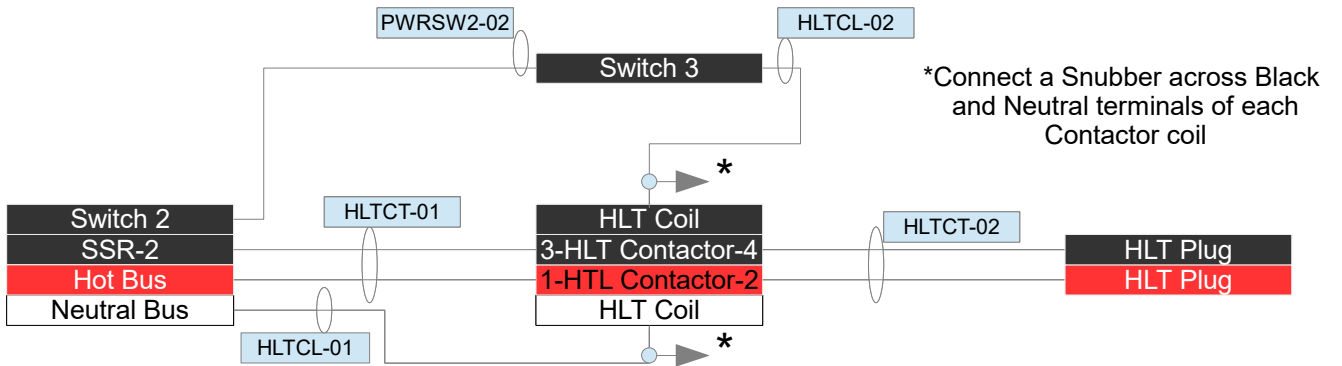
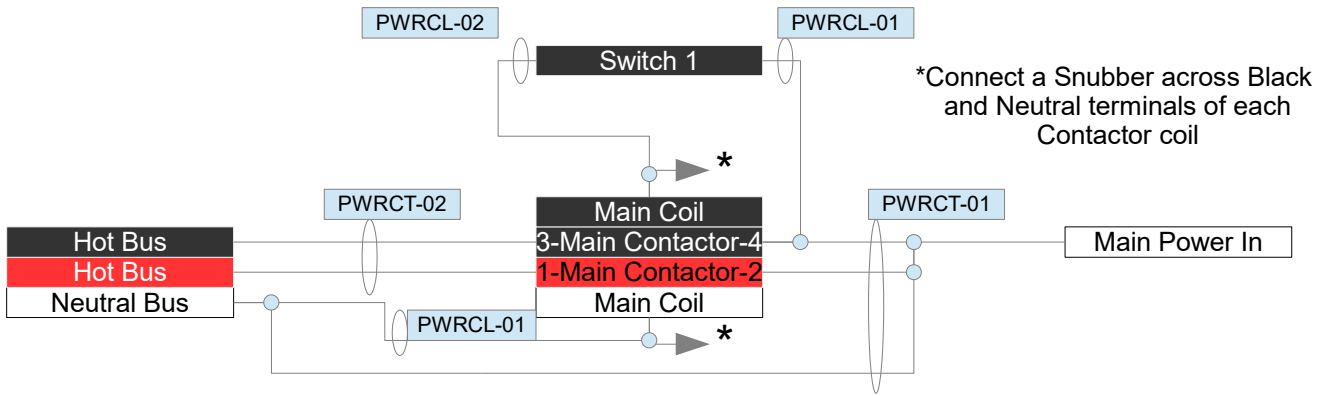
Disclaimer: These schematics are made available for information only and are not guaranteed to be correct. Please use at your own risk; if in doubt please contact a qualified electrician.

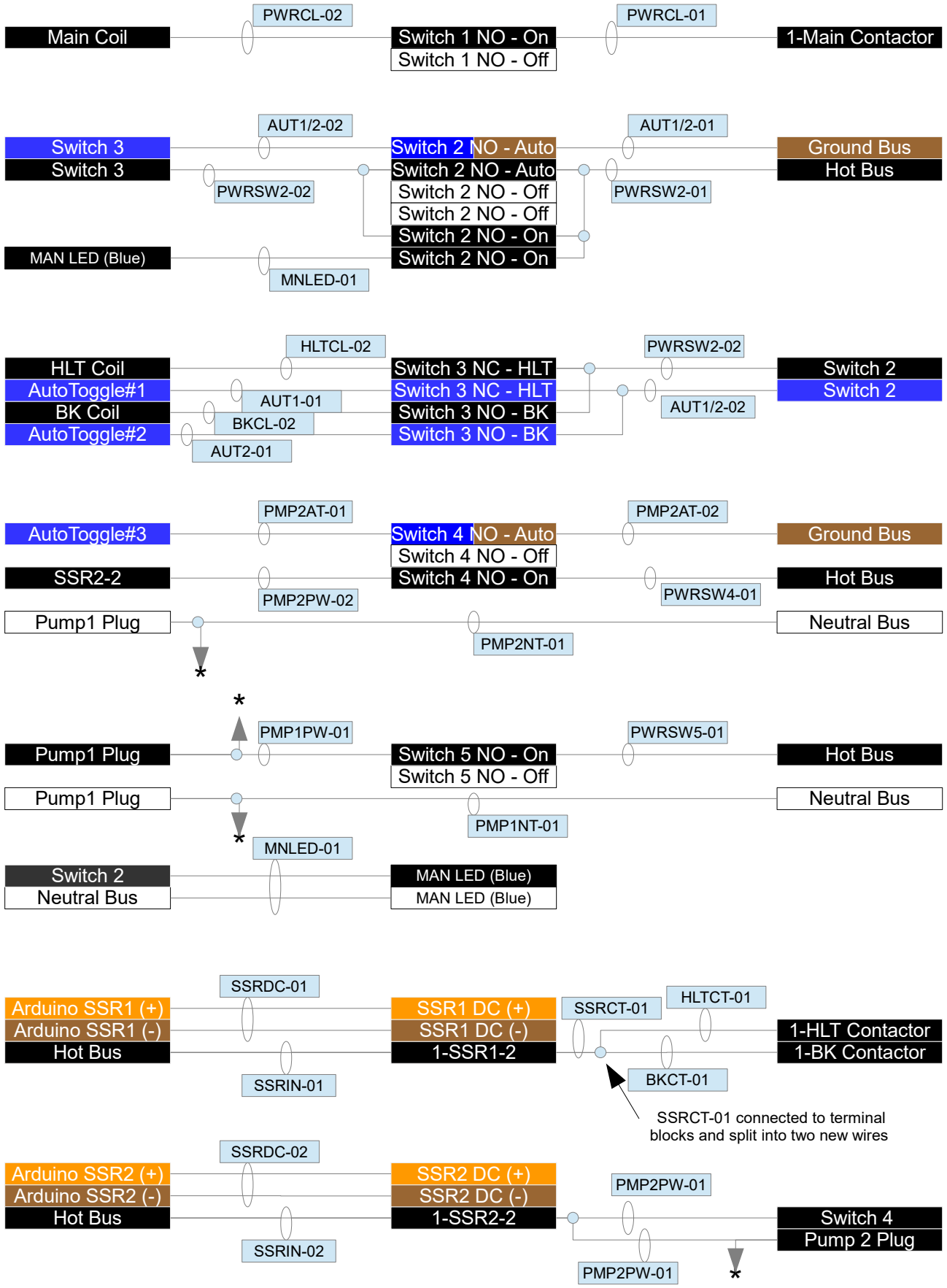
Please visit www.WieBeBrewing.com for Additional Information

Copyright 2016 David Wiebe
All Rights Reserved

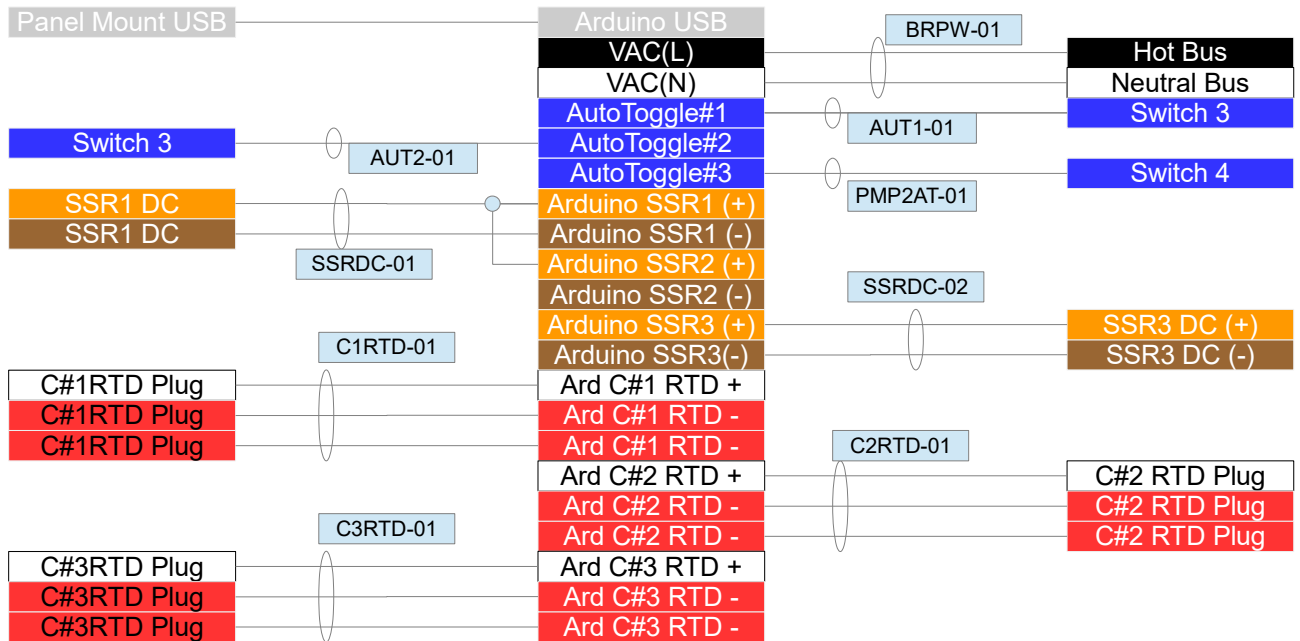
Revision History

| Revision | Revised By | Revised Date |
|----------|-------------|---------------|
| 0 | David Wiebe | Oct 10, 2016 |
| 1 | David Wiebe | April 5, 2017 |





* Connect a Snubber across Black and Neutral Terminals of each pump plug



Note 1 – For this panel, the following notations apply:

Controller#1 = C#1 = Hot Liquor Tank = HLT

Controller#2 = C#2 = Boil Kettle = BK

Controller#3 = C#3 = Mash Tun = MT

Note 2 – As only one SSR used for HLT and BK, do not use SSR#2 (-), just jumper SSR1(+) and SSR2 (+) outputs on the Brewno Controller as shown.